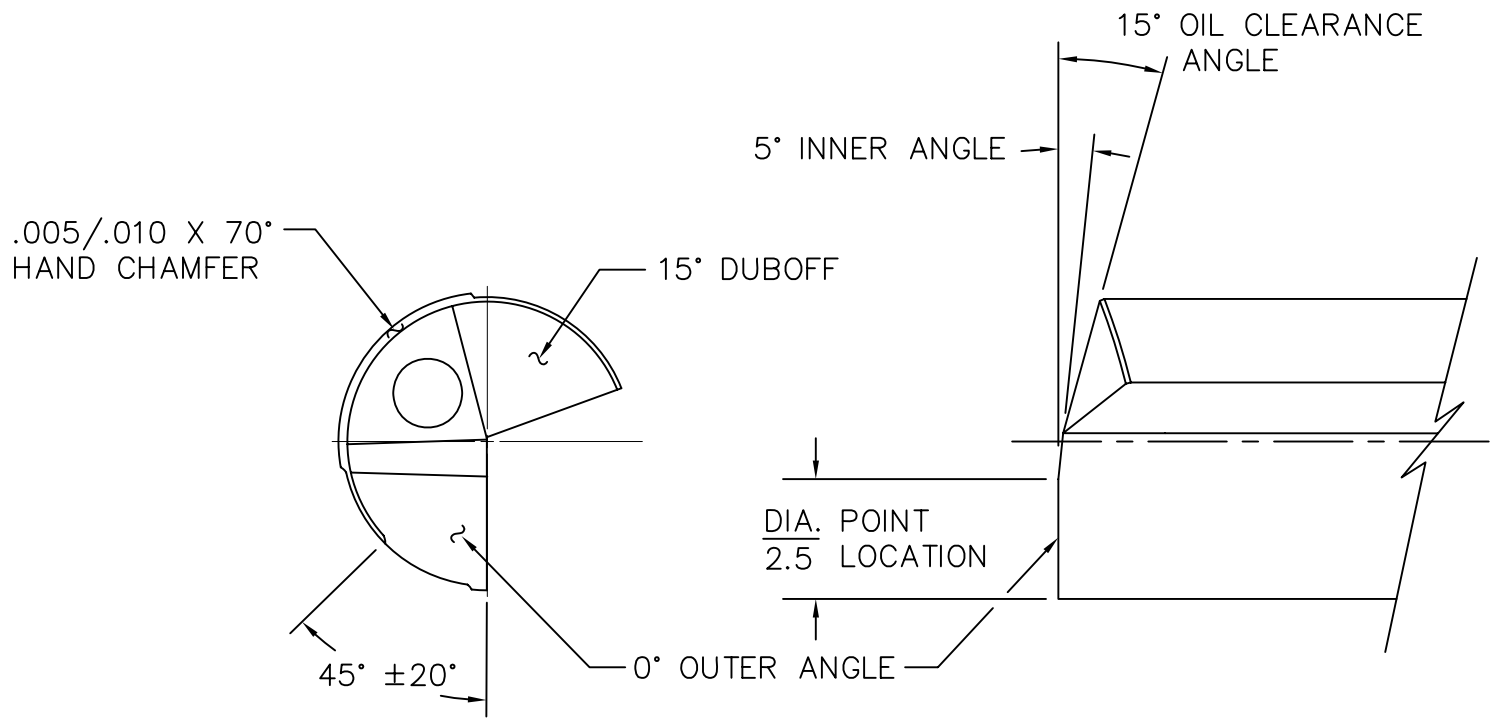


DESCRIPTION OF REVISION	BY	CHK	DATE	REV. LTR.
-------------------------	----	-----	------	-----------



ALL ANGLES @ 12° PRIMARY

NOTES:

- FOR NOSEGRIND SHOWN, USE ELDORADO MODEL 'B' SHARPENING FIXTURE WITH 12° SINE BLOCK (PRIMARY CLEARANCE) AND TRAVERSE GRIND ALL ANGLES. ADVANCE = .009 X DIAMETER FOR DIA./2.5 POINT LOCATION.

THIS IS A PROPRIETARY DESIGN OF ELDORADO. REPRODUCTION, MANUFACTURE OR USE OF ANY ASSEMBLY, SUBASSEMBLY, OR PART INDICATED HEREIN OR THE USE OF THE DESIGN OF ANY SUCH ASSEMBLY, SUBASSEMBLY, OR PART IS PERMISSIBLE ONLY IF EXPRESSLY AUTHORIZED IN WRITING BY DME Tool.

DO NOT SCALE DRAWING INCH DIMENSIONS ARE PRIMARY UNLESS OTHERWISE SPECIFIED		DRILL MASTERS—ELDORADO TOOL 336 BOSTON POST RD. MILFORD, CONNECTICUT U.S.A.		
INCH TOLERANCES		DESIGNER	DATE	TITLE
1 PLACE	± .03	DETAILER		N126
2 PLACES	± .015	CHECKER		
3 PLACES	± .005	RELEASED		
ANGLES	± 1 deg.	SUPERSEDES	REF.	
NON-ACCUMULATIVE		SCALE	SHT. 1	OF 1
METRIC TOLERANCES(mm)		NONE		DWG. NO.
WHOLE NO.	± .8			REV.
1 PLACE	± .4			
2 PLACES	± .13			
ANGLES	± 1 deg.			