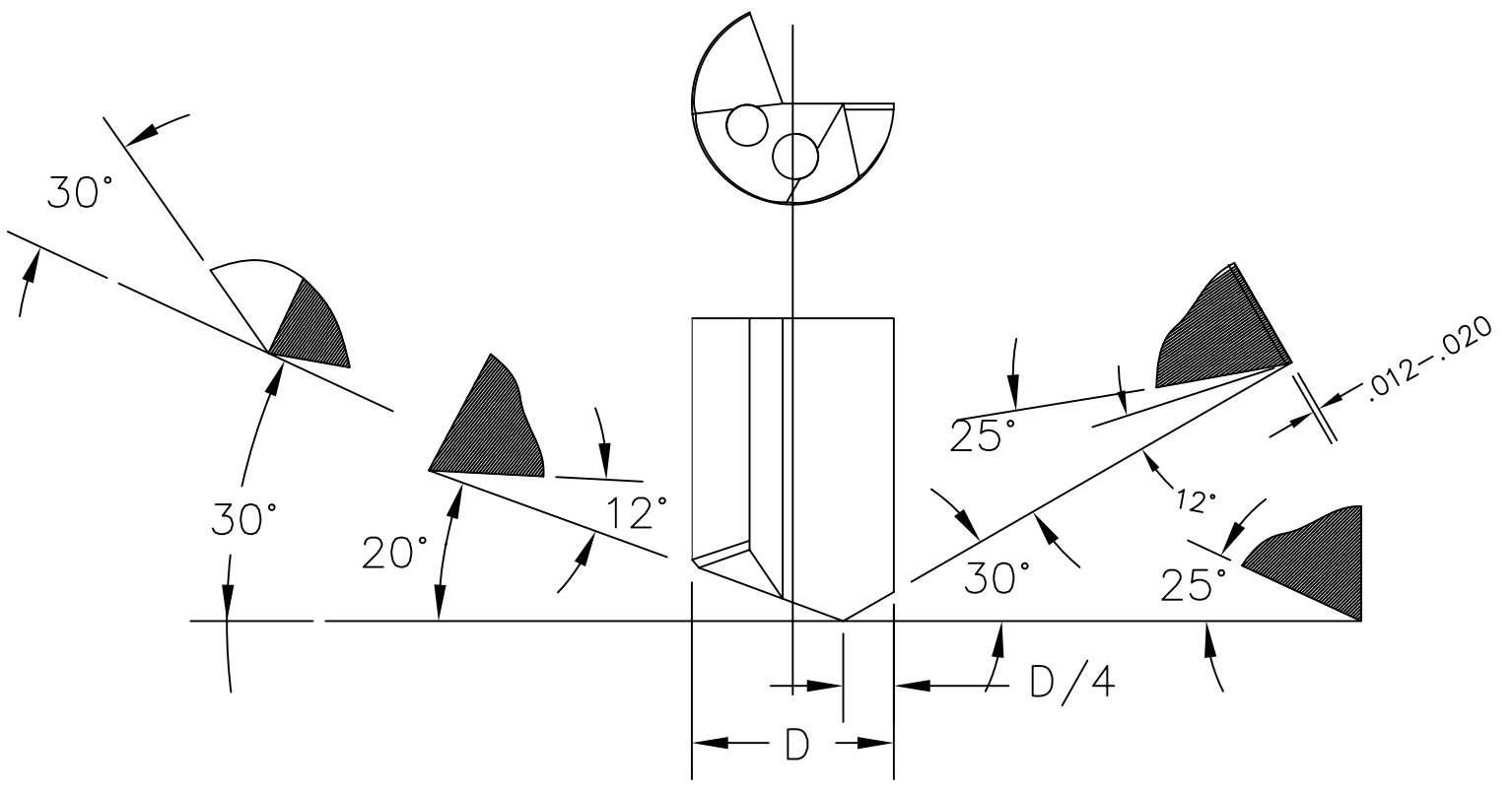


40/30 Facet  
 Drill Diameters 0.0550 – 0.1575



30/20 Facet  
 Drill Diameters 0.1576 – 0.7874